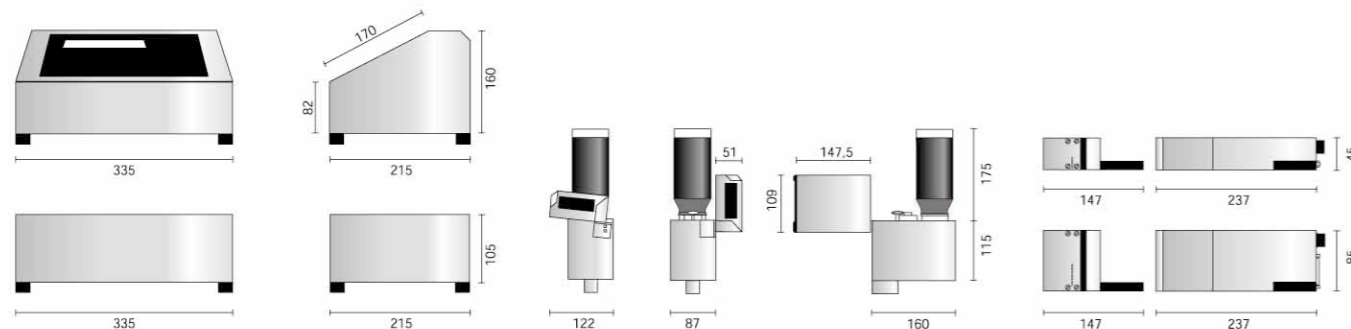


ModulPrint

The Flexibility



TECHNICAL SPECIFICATIONS



Printing Characteristics:

- 100 messages per head, maximum 240 characters per message
- UPPER and lower cases
- Up to 5 lines of text per head
- Font: 5x5, 7x5, 9x7, 15x10, 16x10, 32x18
- **Bold** up to 15 times
- Logos (up to 26 different logos per head)
- Symbolologies and special characters

Bar codes:

- Interleaved 2 of 5 (ITF)
- Code 39
- UPC-A
- 2/5 industrial
- EAN 13
- EAN 128 (A, B, C)
- Code 128 (A, B, C)

Operating temperatures:

50 F - 104 F

Power Supply:

90 - 264 VAC, single phase, grounded

Counters:

- Incremental counter (1-9 digits)
- Decremental counter (1-9 digits)
- Specific lot number and control of lot quantities

PC Connection:

- Serial line interfaces selectable via the keyboard: RS232C, RS422, RS485

Operator interface:

- 240x64 backlit WYSIWYG LCD display
- On-line self-check
- Easy-touch membrane keypad
- Language selection via the keyboard

Other features:

- Perfect positioning of text or graphic via print delay setting.
- Remarkable definition and clarity of images from multiple speed and resolution settings.
- Continuous editing of printing parameters and messages.
- Possibility to create custom logos and packing symbols directly from the keyboard.



Your Authorized Dealer



41049 SASSUOLO (MO) ITALY - Via Marche, 10 - Tel. +39 0536 999711 - Fax +39 0536 999765 - <http://www.zanasi.it>
 Filiale di Milano: RHO - ITALY - Via Risorgimento, 85 - Tel. +39 02 93909262 - Fax +39 02 93908231



ModulPrint

The Flexibility

The Intelligent Choice

The **ModulPrint** is the next generation high-definition ink-jet printers. With the possibility to combine high-resolution printheads with large character printheads, the **ModulPrint** provides the most economical solution for your applications.

- The **ModulPrint** is a fully automated printer, allowing to print high-resolution bar codes, up to five lines of alpha-numeric text, logos and symbols on porous substrates with its high-resolution printheads. The large character NZ technology printheads print up to two lines.

- **ModulPrint** features include:

- A built-in, real-time clock providing complete calendar management from years to minutes
- Internal counters
- A wide range of water-glycol-alcohol-MEK-based inks
- A choice of five font sizes
- A database capacity of up to 100 messages per head with up to 240 characters per message
- A large WYSIWYG display

- The **ModulPrint** can be continually expanded, based on your needs, up to 512 printheads, using a combination of high-resolution and large-character printheads.

Coding Freedom

The **ModulPrint** offers a new level of flexibility and dependability in generating codes and logos.

- The **ModulPrint** can store messages containing bar codes, alpha-numeric texts, counters, automatic "use-by" dates, and logos.
- You can create, edit and store messages and working parameters even while the system is operating, eliminating production delays due to product changeover.
- Six different worldwide bar codes, including EAN 128, can be printed with or without bearer bars and quiet zones (ITF only), ensuring that your products will be accurately identified whatever their final destination.



- Various standard packaging symbols are easily accessible via the keyboard.
- A full size WYSIWYG graphic display guarantees error-free programming and maximizes your production output.
- Five lines of text and the capability to create standard and customized logos directly from the keyboard of the **ModulPrint** give you the fastest and most efficient way to meet your marking and coding needs.

Total Integration

Total production control is now a basic requirement in today's production facilities. Every piece of equipment that is part of a production line must be able to integrate and operate effectively from a remote location.

- The serial interface allows you to totally control the **ModulPrint** from a remote PC.
- The **ModulPrint** system allows communication of data from PCs, scanners, and PLCs, providing total production line integration.
- The **ModulPrint** gives you more control over your production line.

Customer Satisfaction

Your productivity is important to us, and we are dedicated to keeping your production lines running as cost-effectively and efficiently as possible. Reducing down-time is our goal, and to achieve it **Zanasi Usa** offers extensive operator training, expert technical support and complete maintenance services.



Inks

It is always necessary to carefully analyze the coding process in order to identify the correct ink that will provide you with high-quality, long lasting codes.

- The **ModulPrint** uses a variety of inks:

- Glycol-based for high-resolution in black, red, green and blue color
- Water-based for porous substrates
- Alcohol and MEK-based for non porous substrates, even dark ones

Thanks to our lab research and to the **ModulPrint** you now have a way to code your products using the most suitable ink and just one printing system.

